

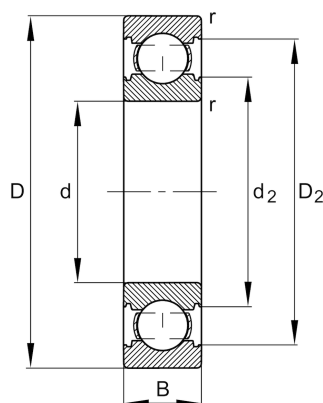
FAG

629-C

Deep groove ball bearing

Schaeffler ID:
0957696250000Deep groove ball bearing 62...-C, single
row, Generation C, steel sheet metal cage

Technical information

**Dimensions**

r_{\min}	0.3 mm	Minimum chamfer dimension
D_2	23.1 mm	Caliber diameter outer ring
d_2	13.6 mm	Caliber diameter inner ring
	0.018 kg	Weight

Main Dimensions & Performance Data

d	9 mm	Bore diameter
D	26 mm	Outside diameter
B	8 mm	Width
C_r	5,300 N	Basic dynamic load rating, radial
C_{0r}	1,970 N	Basic static load rating, radial
C_{ur}	136 N	Fatigue load limit, radial
n_G	44,500 1/min	Limiting speed
n_{gr}	27,000 1/min	Reference speed

Mounting dimensions

$d_{a\min}$	11.4 mm	Minimum diameter shaft shoulder
$D_{a\max}$	23.6 mm	Maximum diameter of housing shoulder
$r_{a\max}$	0.3 mm	Maximum fillet radius

Calculation factors

f_0	12.4	Calculation factor
-------	------	--------------------

Temperature range

T_{\min}	-30 °C	Operating temperature min.
T_{\max}	120 °C	Operating temperature max.

